

AFTER CARE

To maintain the appearance of this tap, ensure that it is regularly cleaned only using a clean, soft damp cloth. A solution of warm water and a mild liquid detergent may be used where necessary, and then the fitting rinsed thoroughly and wiped dry. Abrasive cleaners, scouring cleaners and acid cleaners **must not be used** under any circumstances. All bath cleaning powders and liquids will damage the surface of your fitting even the non-scratch cleaners. Avoid contact with all solvents and any harsh household chemicals. You will damage the plated finish and void your guarantee.

GUARANTEE AND LIABILITY

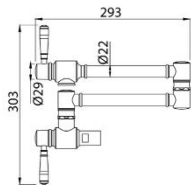
In the unlikely event that you should experience any defect in the material or workmanship of your mixer tap within 5 years of purchase, we will replace the faulty part free of charge. Decorative surface finishes are guaranteed for one year from the date of purchase provided that our advise concerning care has been observed and no scouring agents have been used. This is provided that the mixer or tap has been used for normal domestic purposes in the UK and that the care, installation and maintenance instructions have been observed.

Scuff and scratches caused by normal wear and tear, improper installation or accidental damage are excluded from this guarantee.

You should retain a copy of your dated invoice as proof of purchase to validate any claims under this guarantee.

No other warranties, express or implied, are made, including merchantability or fitness for a particular purpose.

LONGDON 1 clearwater



Fitting Instructions and Parts List
Please read these instructions before you install and use the tap, be sure to keep them safe for future reference and to request replacement parts.
All designs, descriptions and dimensions are subject to change without notice.

Please Keep Me Safe

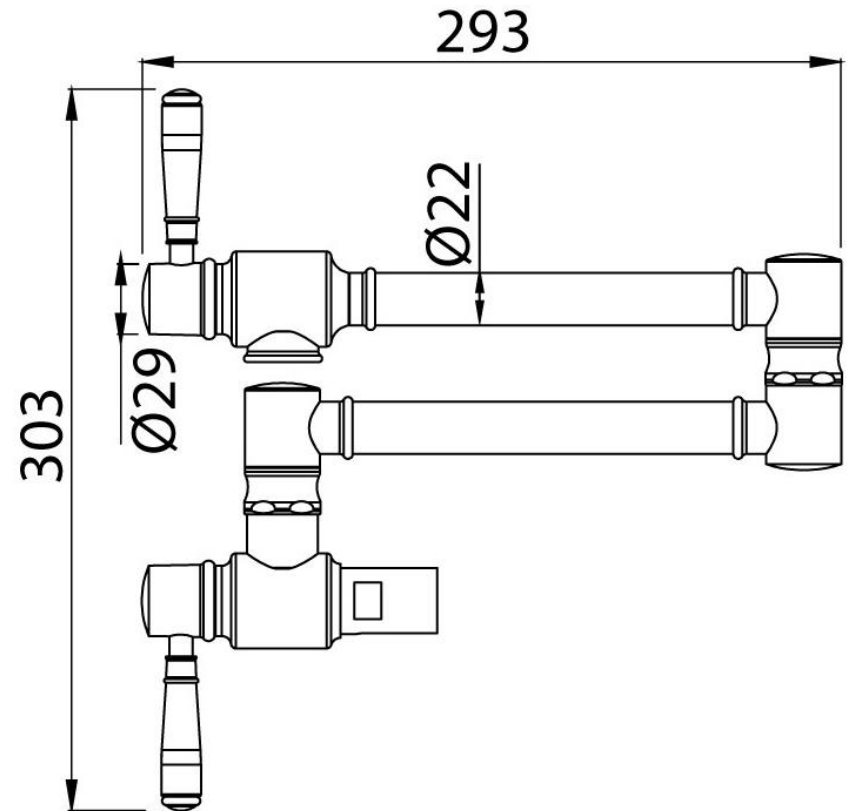
Spare Parts and Service

sterling
SINKS & TAPS

Contact: Sterling
Phone: 01684 299555
Fax: 01684 290958
Email: sales@sterling.eu.com
Website: www.sterling.eu.com

LONGDON 1

clearwater®
THE CLEAR CHOICE

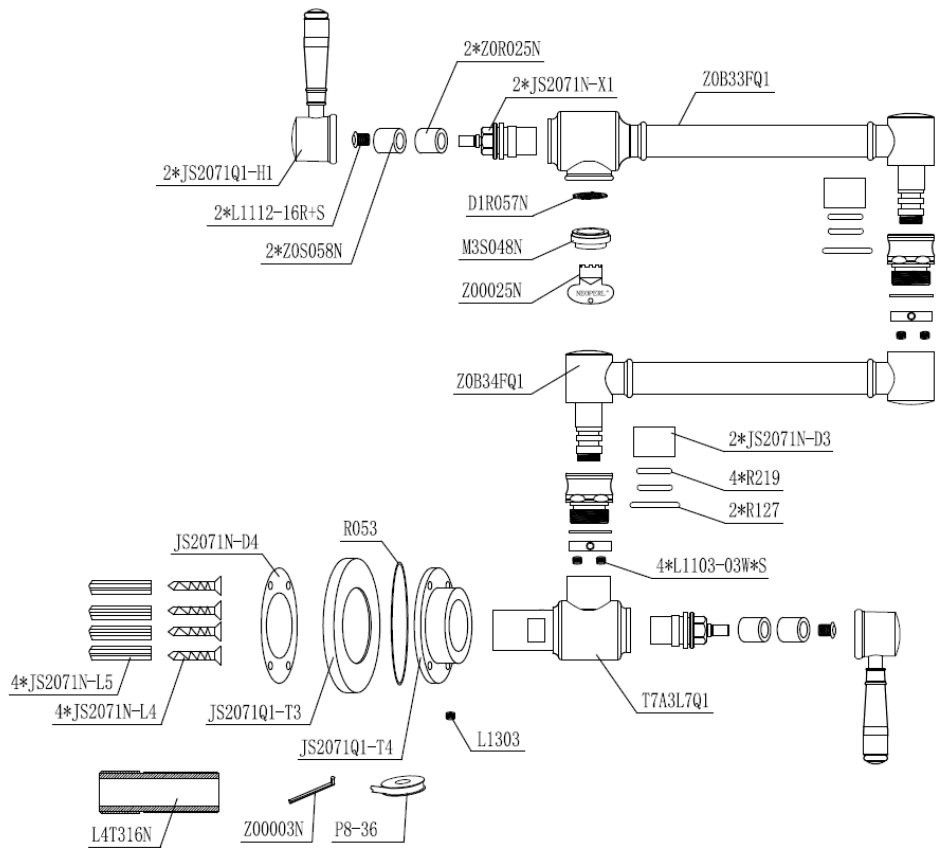


Fitting Instructions and Parts List

Please read these instructions before you install and use the tap, be sure to keep them safe for future reference and to request replacement parts.

All designs, descriptions and dimensions are subject to change without notice.

LON1 – Parts diagram



In the unlikely event you find a part missing please contact our Customer Service Helpline on 01684 299555 for immediate despatch of part.

MAINTENANCE

IF THE FITTING BEGINS TO DRIP

- 1 Turn off the water supply
- 2 Loosen grub screw under handle lever, remove handle and valve
- 3 Carefully clean seating, rubber washer and ceramic disc
- 4 Replace valve and handle, then turn on the water supply
- 5 If problem persists contact our helpline quoting the product code

Where an aerator is fitted to the outlet of the spout, it will need occasional cleaning. This will be evident when the water flow slows down to an unacceptable level. To accomplish this unscrew the outlet in an anti-clockwise direction and remove the mesh. Immerse the mesh in a suitable descaling fluid overnight, rinse thoroughly in clean water and re-install.



It is very important that you read through the following instructions **BEFORE** you install and use the tap.

REMEMBER

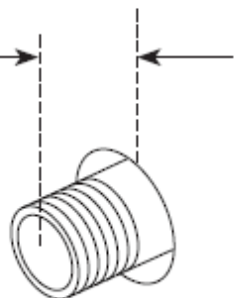
Maximum water supply pressure **5 bar (75PSI)** Minimum water supply pressure low pressure aerator - **0.3 bar**

INSTALLATION

- Attach the threaded connector L4T316N to a prepared connector inside the wall, ensuring it does not protrude more than 13 mm past the finished wall surface.
- Place the fixing flange (JS2071Q1-T4) over the L4T316N connector, then thread the pot filler body onto the connector.
- Mark the screw-hole positions for the fixing flange on the wall, then remove both the pot filler body and the flange.
- Drill the marked holes and secure the flange to the wall using the provided fixings, or alternative fixings suitable for your wall type.
- Wrap a sufficient amount of PTFE tape around the L4T316N connector, then thread the pot filler body back on. *(Ensure the decorative cover JS2071Q1-T3 is placed loosely over the body before tightening.)*
- Once the body is fully tightened and correctly aligned, tighten the grub screw located at the base of the flange.
- Slide the decorative flange cover (JS2071Q1-T3) down over the flange to complete installation.

A.

1/2" (13 mm) →
1/2 po (13 mm) ←

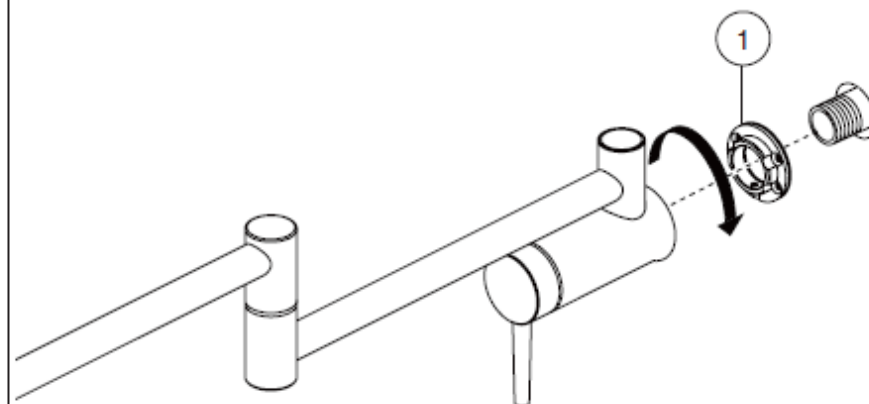


WARNING: Connect to Cold Water Only.

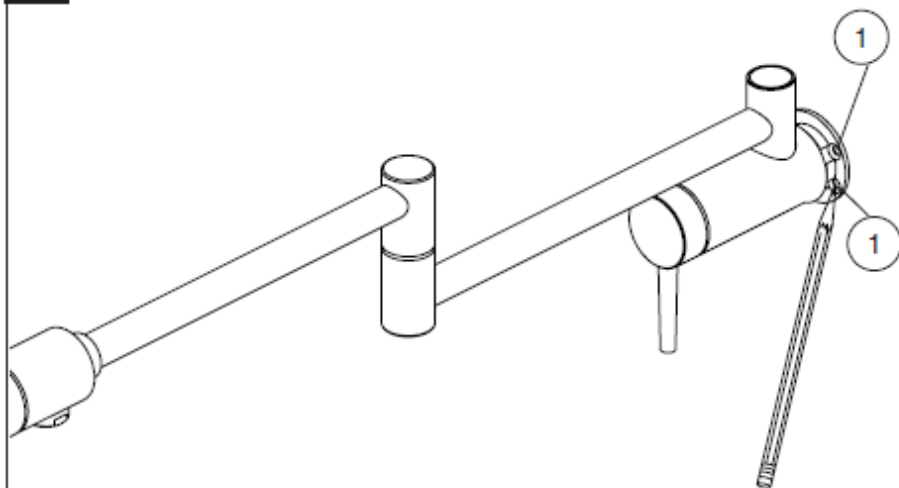
AVISO: Conecte Sólo al Agua Fría.

AVERTISSEMENT :
Ne raccordez qu'à la
conduite d'alimentation
d'eau froide seulement.

B.



C.



D.

